

LED Canopy Light Series

(The "XX" represents Color temperature.)

Model No.: SLCP01-XX01

SLCP02-XX01

SLCP03-XX01

Power: 60W 100W 150W

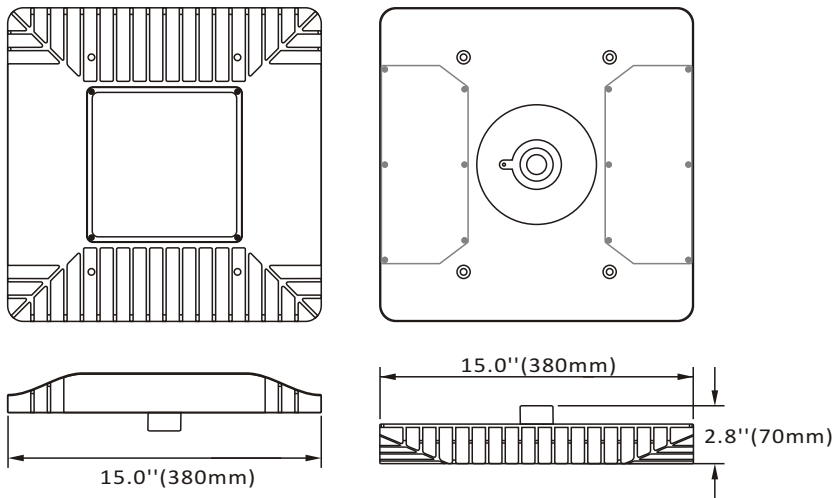


1.Features

- Universal voltage AC100-277V 50/60Hz.
- 110lm/W for fixture.
- Using high quality 3030 chips, LM-80 report and IES data available.
- Mean Well UL/cUL driver.
- High Power Factor >0.9, Low THD Driver.
- The whole lamp with the powder coating is brighter, without fading and corrosion.
- Flat grind arenaceous glass lens.
- Silicone rubber seal, moisture, high temperature.
- Built-in light module, easy maintenance, low maintenance costs.
- Dust-proof and waterproof, IP65.
- 5 years Warranty.
- Available with Microwave motion sensor.
- UL/DLC/Lighting facts certificate.

2.Drawing

Unit:mm



LM80



ErP



IP65





3.Application

Widely used in construction site lighting, plant lighting, industrial lighting, sports centers, gas stations, parking lots, waiting rooms, railway stations, ports, terminals and other large-scale energy-efficient lighting.

4.Parameters

The "XX" represents Color temperature.

Item	Model	SLCP01-XX1	SLCP02-XX01	SCP03-XX01
General Performance	Power	60W	100W	150W
	Lumen Output	6600lm	11000lm	16500lm
	Efficacy	110lm/W		
	Color Temperature	3000K/4000K/5000K/5700K		
	LED	3030		
Electrical	Power Factor	>0.9		
	Input Voltage	100-277VAC, 50/60Hz		
	THD	<20%		
Physical	Weight	6.5Kg	6.8Kg	7.0Kg
	Dimension	380x380x70mm	380x380x70mm	380x380x70mm
	Housing	Die-cast aluminum		
	Lens	Glass		
	Mounting	Recessed Outlet or to surface		
	Operation Temperature	-35°C~55°C		
	Humidity	20%~85%, non condensing		
	Finish	White		
	IP rated	Ip65		
Certificate	Certificate	UL, cUL, DLC, SAA, RCM, CE, RoHS		
	Material Usage	RoHS compliant		
	Driver Class	Class II		
	LED Class	LM80 rated to 50,000 hours		



LM80



ErP

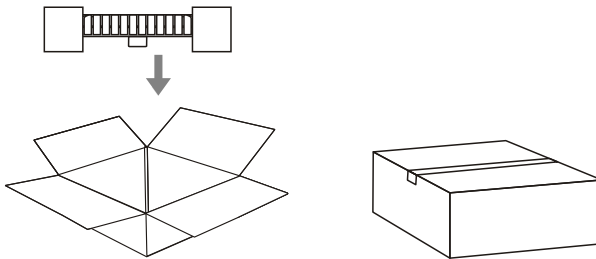


IP65



6.Packaging

No.	Model	Power	N.W.	Inner Box	G.W	Qty/ctn	Outer Carton
1	SLCP01-XX01	60W	6.5Kg	—	7.5Kg	1	450x450x150mm
2	SLCP02-XX01	100W	6.8Kg	—	7.8Kg	1	450x450x150mm
3	SLCP03-XX01	150W	7.0Kg	—	8.0Kg	1	450x450x150mm



7.Notes

- A. Avoid dropping of LED Canopy Light, otherwise Canopy Light Will be damaged;
- B. Forbid to install the LED Canopy Light when on before power on, please Make sure that wiring is correct once installation finished;
- C. Ensure stable installation and correct connection to avoid short-circuit damage to the Canopy Light and causing fire hazard;
- D. Please do not stare at the Canopy Light for a long time when it is working to protect your eyes;
- E. Only professional personnel may dismantle and repair.

Installation Instructions

Install height from floor higher than 1.2m.

1 INSTALLATION KIT(NOT INCLUDED):

- (1) Junction Box
- (2) $\Phi 1$ " Stem
- (3) Conduit Nuts

STEP 1:

Feed the luminaire leads through the Stem and attach Stem to luminaire by threading the stem into the threaded hub.

STEP 2:

Assemble the junction box to the Stem by placing one of the conduit nut onto stem.

STEP 3:

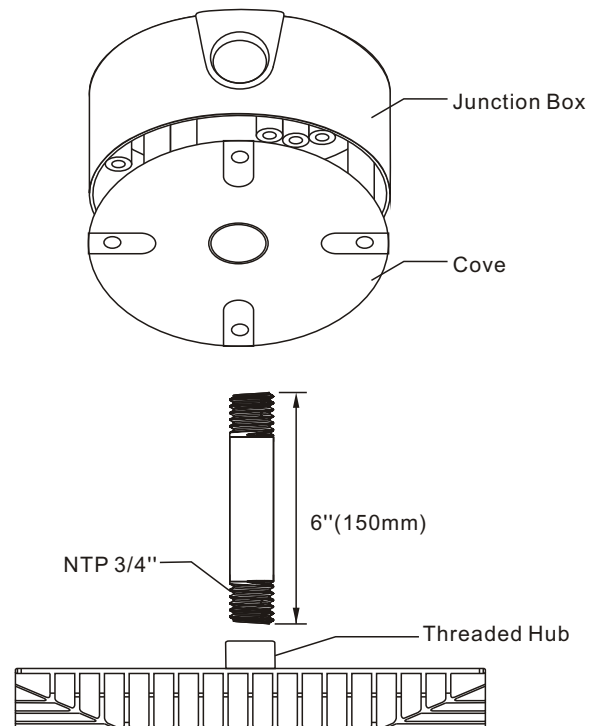
Loosen, do not remove, junction box screw and flip junction box cover up. Place the junction box onto the stem.

STEP 4:

Place the second conduit nut on to the stem from inside the junction box and tighten the nut.

STEP 5:

Reference luminaire installation instructions for making electrical connections.



Use UL complied junction box and strain relief means to meet installation requirements.

The unit is designed for years with minimum care. For optimum performance, periodically clean the reflector and lens with a mild, non-abrasive glass cleaner and soft cloth. Do NOT use solvents or cleaners containing abrasive agents. When cleaning the fixture, make sure you have the power turned off and do not spray liquid cleaner directly onto the LED, socket, or wiring.

2 SIMPLE METHOD OF INSTALLATION:

Make sure that the ceiling can support the weight of the lamp

1. Openings one hole greater than 40mm through hole in the ceiling.
2. Put the fixture on the ceiling, make four marks according to 4 mounting kits, then drill 4 holes for them.
3. Connect the wires correctly and make sure the good wire protection.
4. Get rubber plugs into the holes, match 4 mounting kits to the rubber plugs, then fix the fixture on the ceiling by screws.

Ensure that no wires are pinched during installation of luminaire.

ELECTRICAL CONNECTIONS:

- a. Connect the black wire to line.
- b. Connect the white wire to neutral.
- c. Connect the green or green/yellow wire to ground.

HOT	—●—	BLK
NEU	—●—	WHT
GRND	—●—	REN, GRN/YEL

